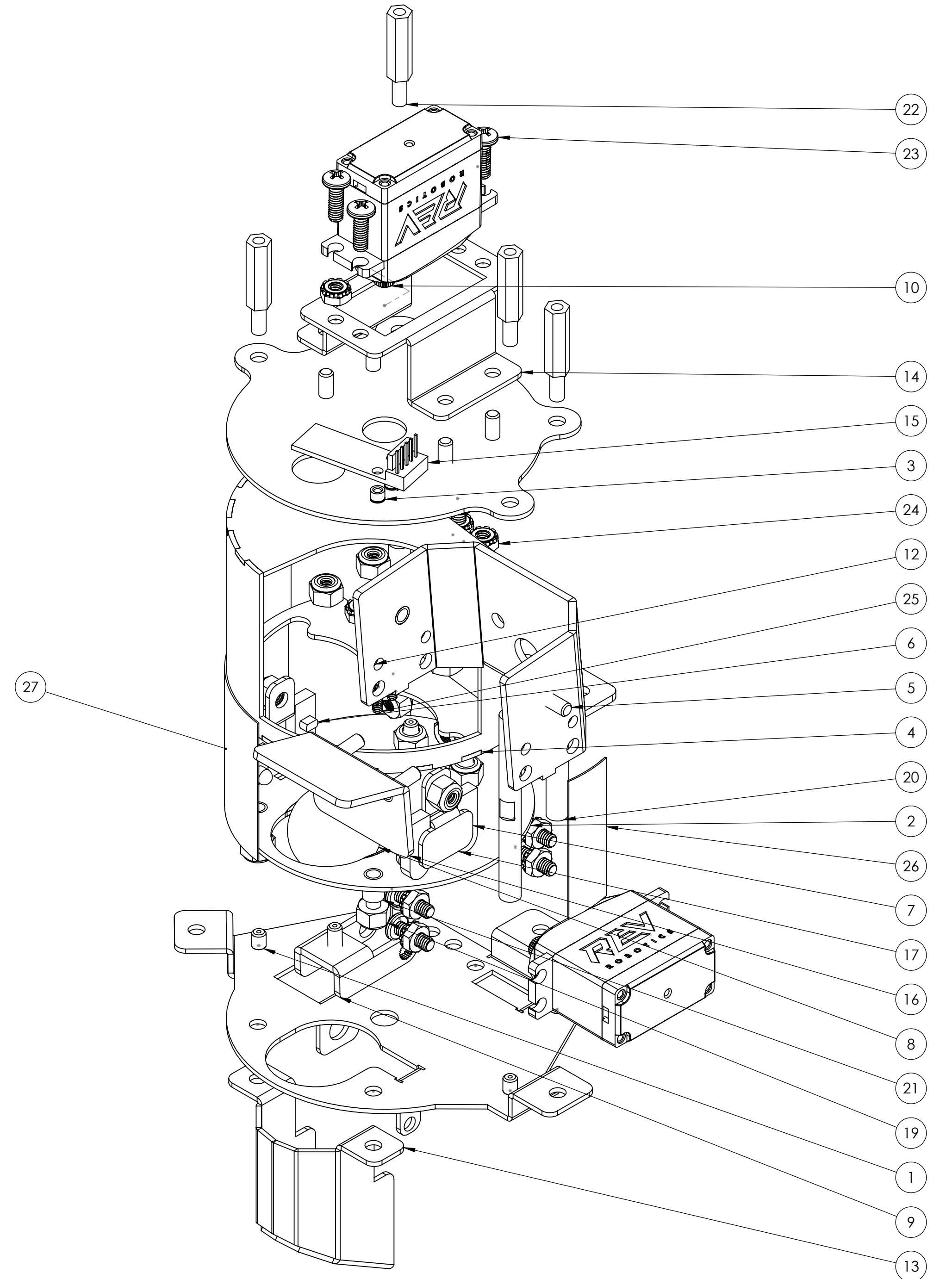
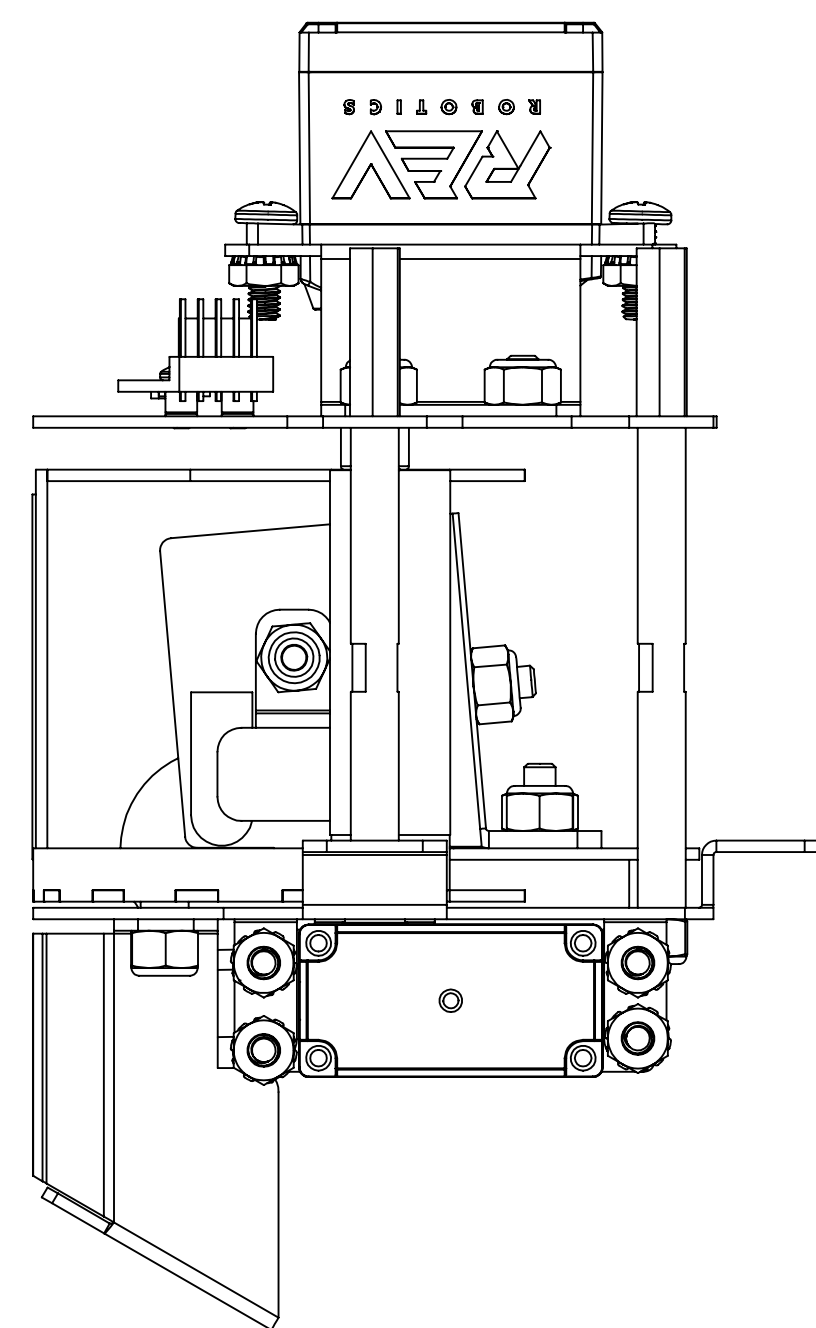
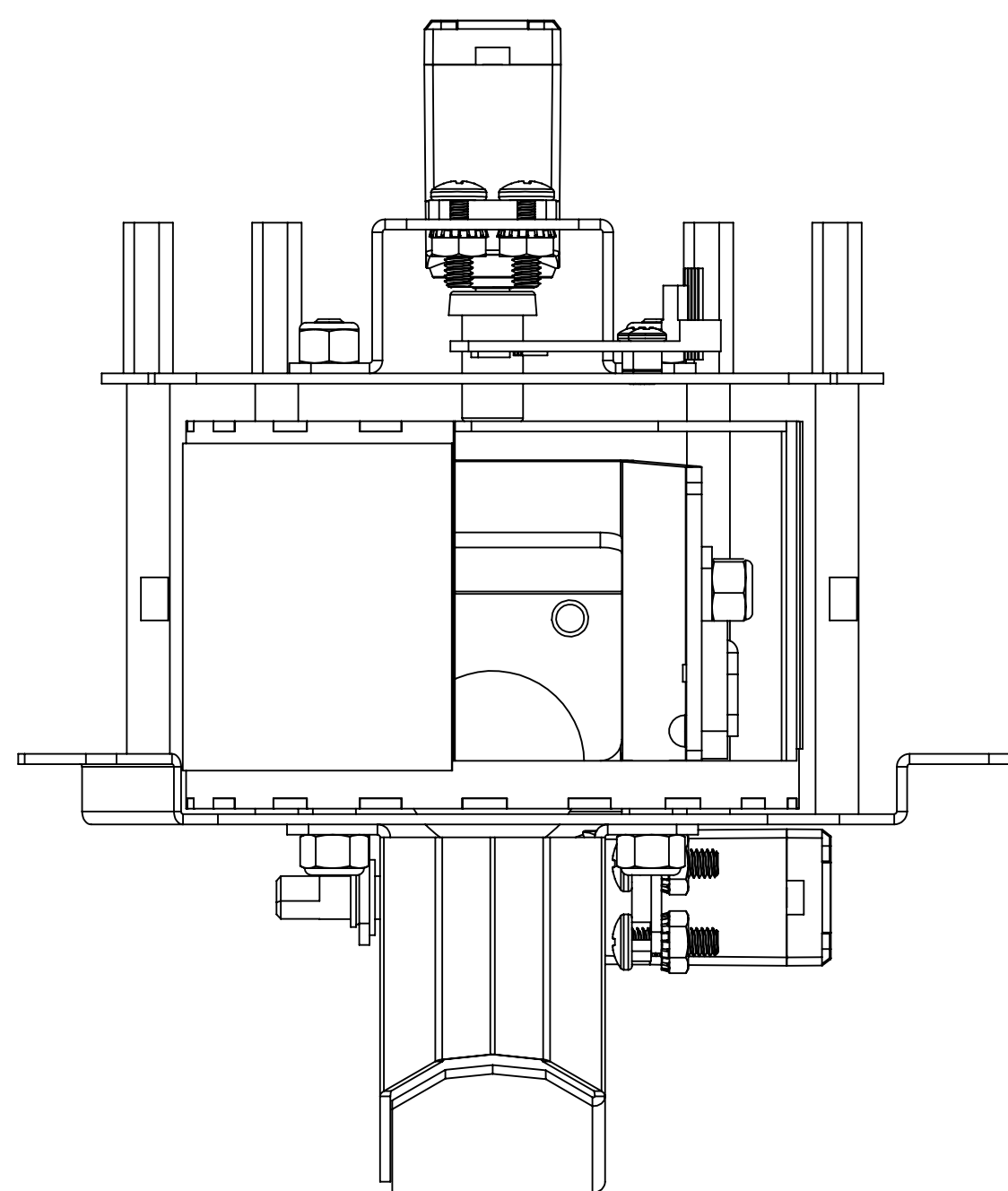
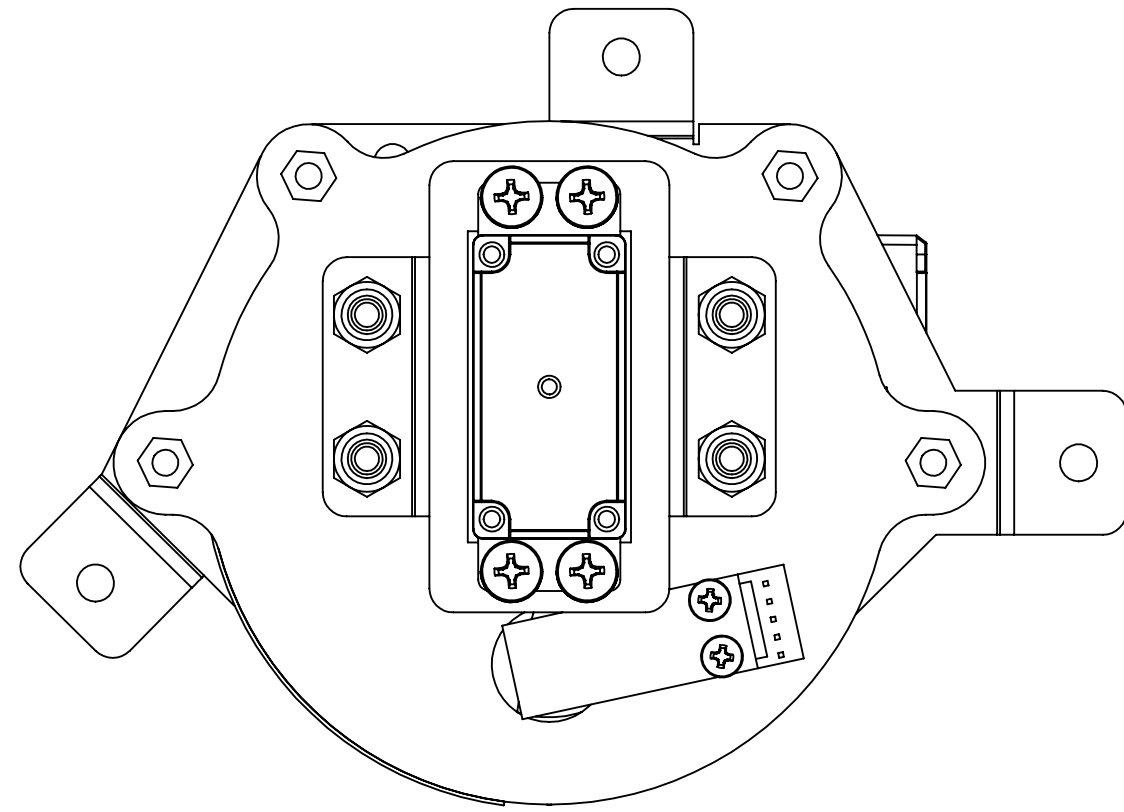
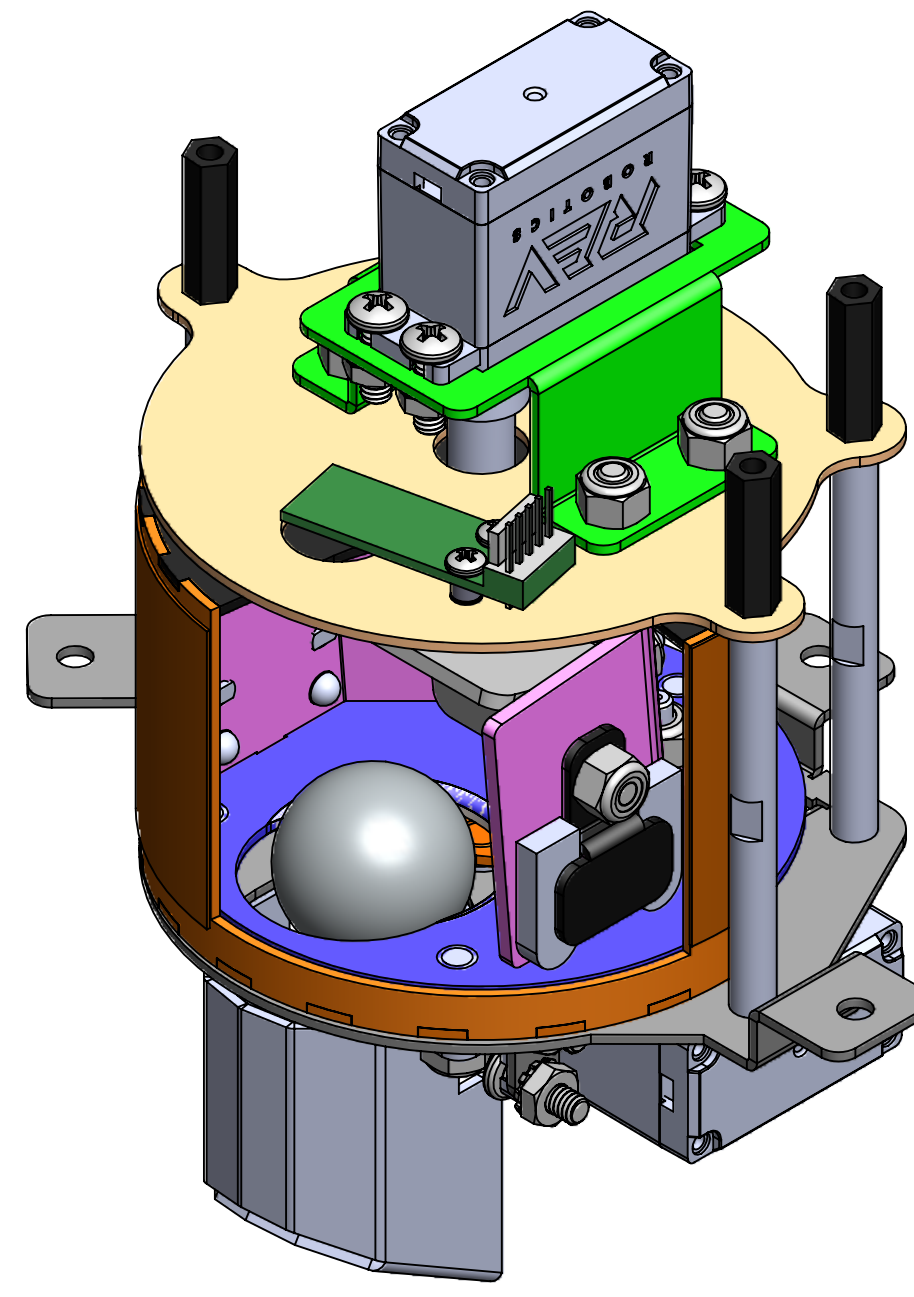


ITEM NO.	PART NUMBER	DESCRIPTION	QTY.
1	MTL0056-00A	STAGE BASE	1
2	MTL0058-00A	STAGE WELDMENT	1
3	MTL0057-00C	STAGE TOP	1
4	MTL0049-00	CURTAIN	1
5	MTL0055-00B	STAGE BACKDROP	1
6	SWI0007-01	OPTEK PHOTOTRANSISTOR	2
7	MTL0053-00A	STAGE OPTO HOLD DOWN	2
8	MCH0011-00	PINBALL	1
9	MTL0059-00A	TRICK BALL SUPPORT	1
10	MTR0001-00	STAGE SERVO MOTOR	2
11	MCH0010-00	M3 MALE THREADED SHAFT	1
12	MCH0015-00	SERVO SHAFT ADAPTOR	1
13	MTL0041-00	BALL GUIDE UNDERMOUNT	1
14	MTL0042-00A	CURTAIN MOTOR SUPPORT	1
15	PCB0009-00	SINGLE RGB PCB	1
16	MTL0054-00A	STAGE SNUB PLATE	1
17	SWI0007-00	OPTEK INFARED LED	2
18	PLS0037-00	.250 SNAP IN NYLINER	2
19	NUT0008-00	8-32 NYLON LOCKNUT LOW PROFILE	13
20	RND0408-36	2-1/2" F-F 1/4" ROUND STANDOFF 8-32 TAPPED	4
21	MCH0018-00	SPACER .17 ID X .25 OD X .25 LG.	3
22	HEX0408-14MF	1/4" F-M STANDOFF 7/8 8-32 ENDS	4
23	MAS0008-08	8-32 x 1/2" PPH MS ZINC	8
24	NUT1008-00	8-32 KEPS NUT	8
25	90272A106	MS 4-40 X .25 PPH ZINC	2
26	DCL0004-01A	4-40 x 3/16 PPH MS ZINC	1
27	DCL0004-01	LARGE CURTAIN DECAL	1
28	WIR0006-04P	4 PIN MOLEX MINI FIT JR CONNECTOR -PLUG	1
29	WIR0007-00F	FEMALE MINI FIT JR TERMINAL	1



	<small>UNLESS OTHERWISE SPECIFIED: NO SHARP CORNERS AND EDGES. TOLERANCES (DIM'S ARE IN INCHES) ANGULAR MATCH: 5 DEG BEND ± 1 DEG</small>	<b>AMERICAN PINBALL</b> <small>1448 Yorkshire Dr. Streamwood, IL 60178</small>	<small>DESCRIPTION:</small> <b>HOUDINI STAGE MECH</b>
	<small>FRACTIONAL ± .020 .X ± .015 .XX ± .010 .XXX ± .005 .XXXX ± .001 FINISH 125RMS</small>	<small>MATERIAL:</small> - <small>FINISH:</small> -	<small>SIZE:</small> DWG. NO. <b>D ASM0028-00</b>
<small>DO NOT SCALE DRAWING</small>	<small>DRAWN BY:</small> ZR	<small>DRAWN DATE:</small> 6.1.2017	<small>SCALE:</small> 1:1